

SCREW CONVEYOR



The screw conveyor is adaptable for hookup, curve and lift with any machine. suitable system can be made. According to your opinion, we can offer to layout .



NIPPON STEEL
Convey Your Pleasure

SYSTEM PARTS

SYSTEM PARTS



SCREW MOTOR

SCREW MOTOR



PIPE JOINT PARTS

PIPE JOINT PARTS



SCREW CONNECTED PART

SCREW CONNECTED PART



PARTS

PARTS



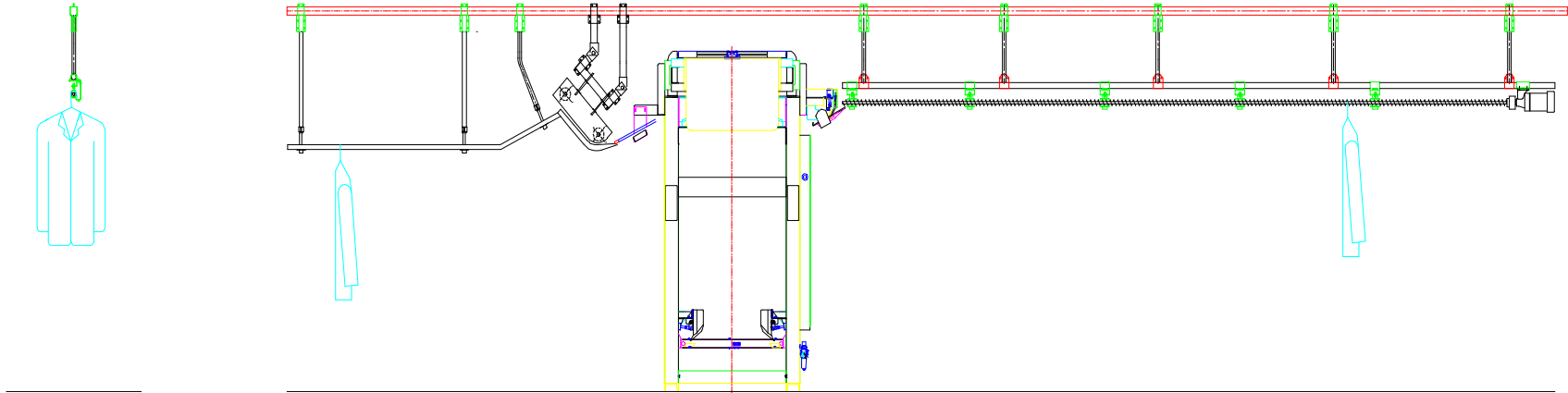
PARTS

PARTS



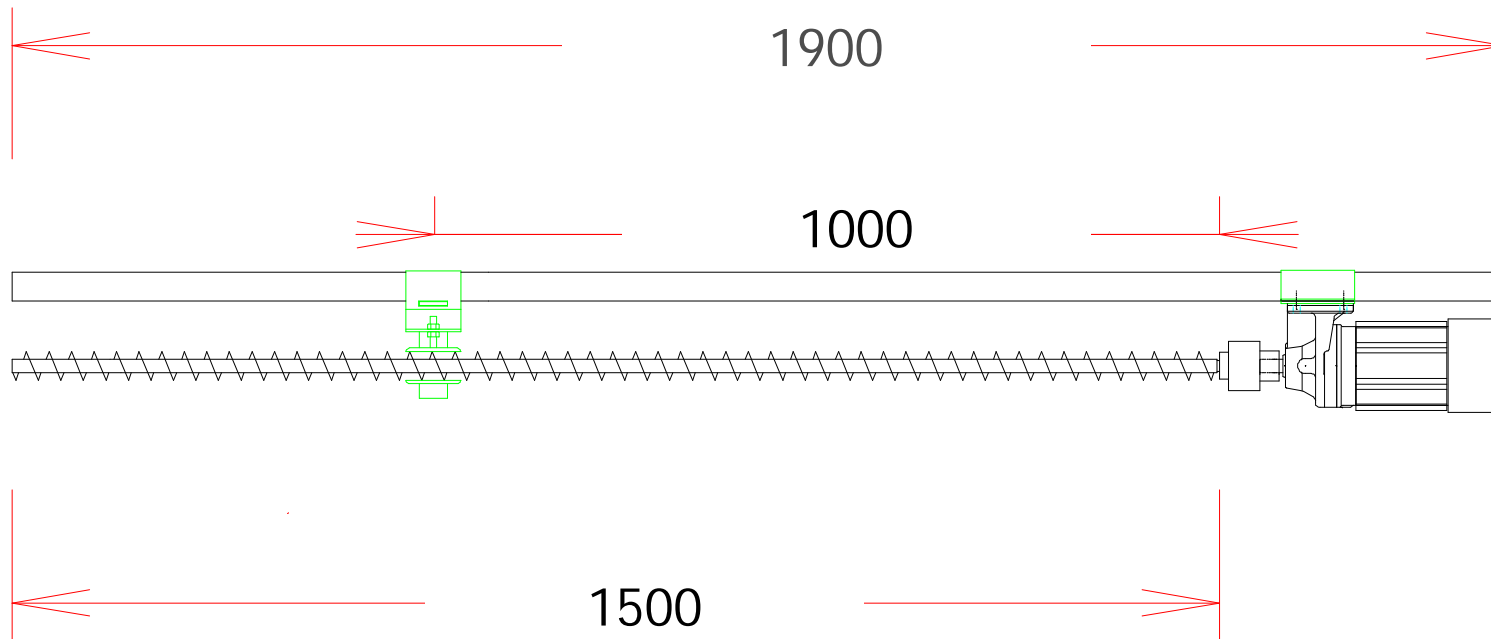
SAMPLE LAYOUT

SAMPLE LAYOUT



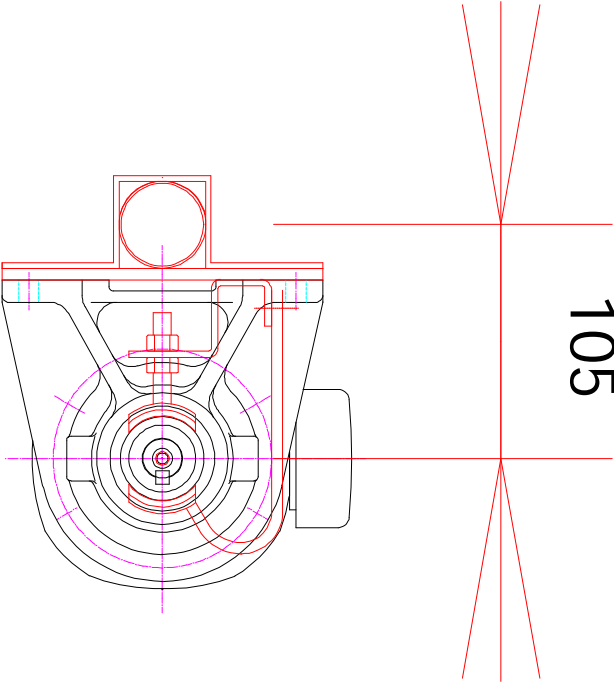
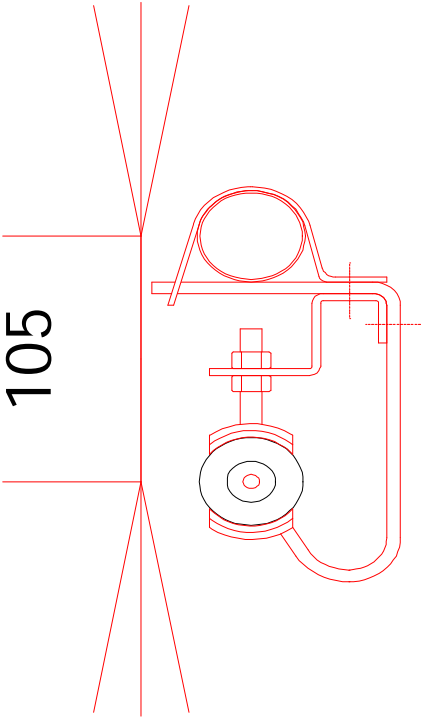
MOTOR UNIT

MOTOR UNIT



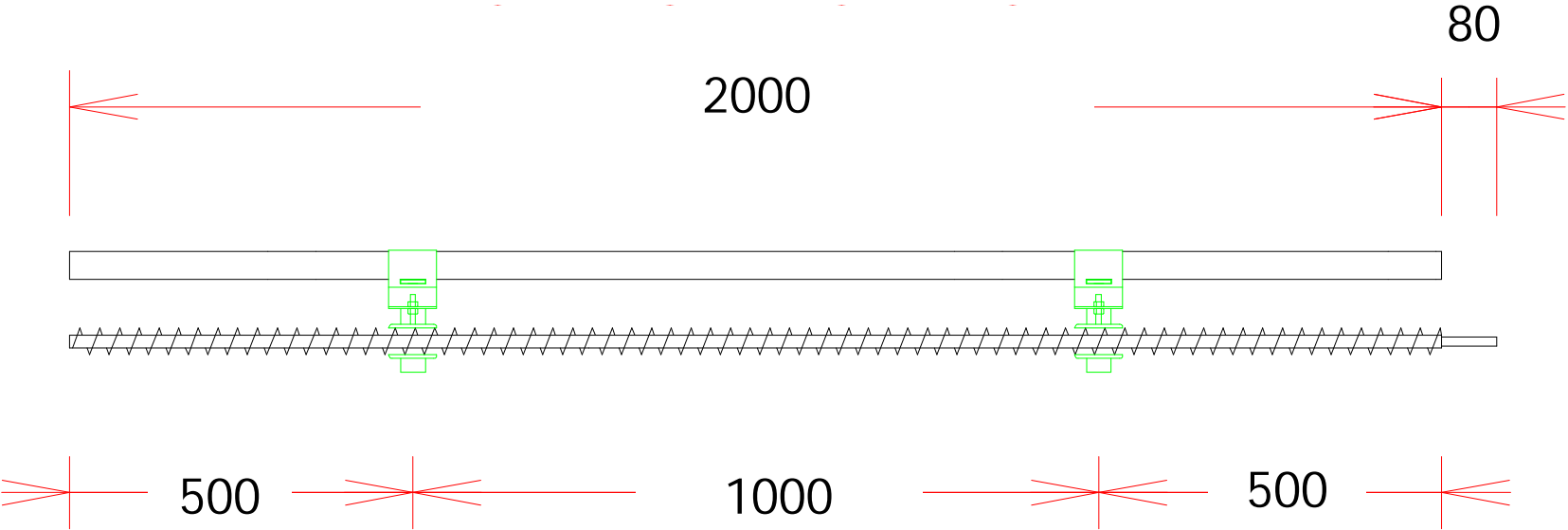
DRAWING FOR MOTOR

DRAWING FOR MOTOR



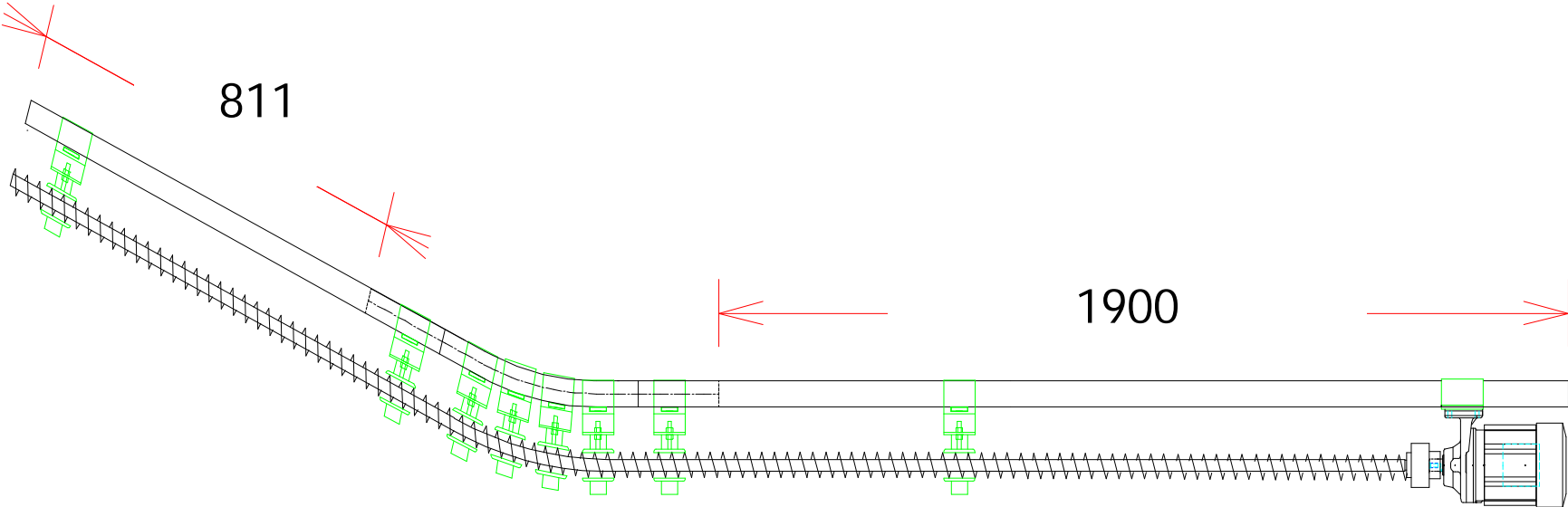
UNIT FOR EXTENSION

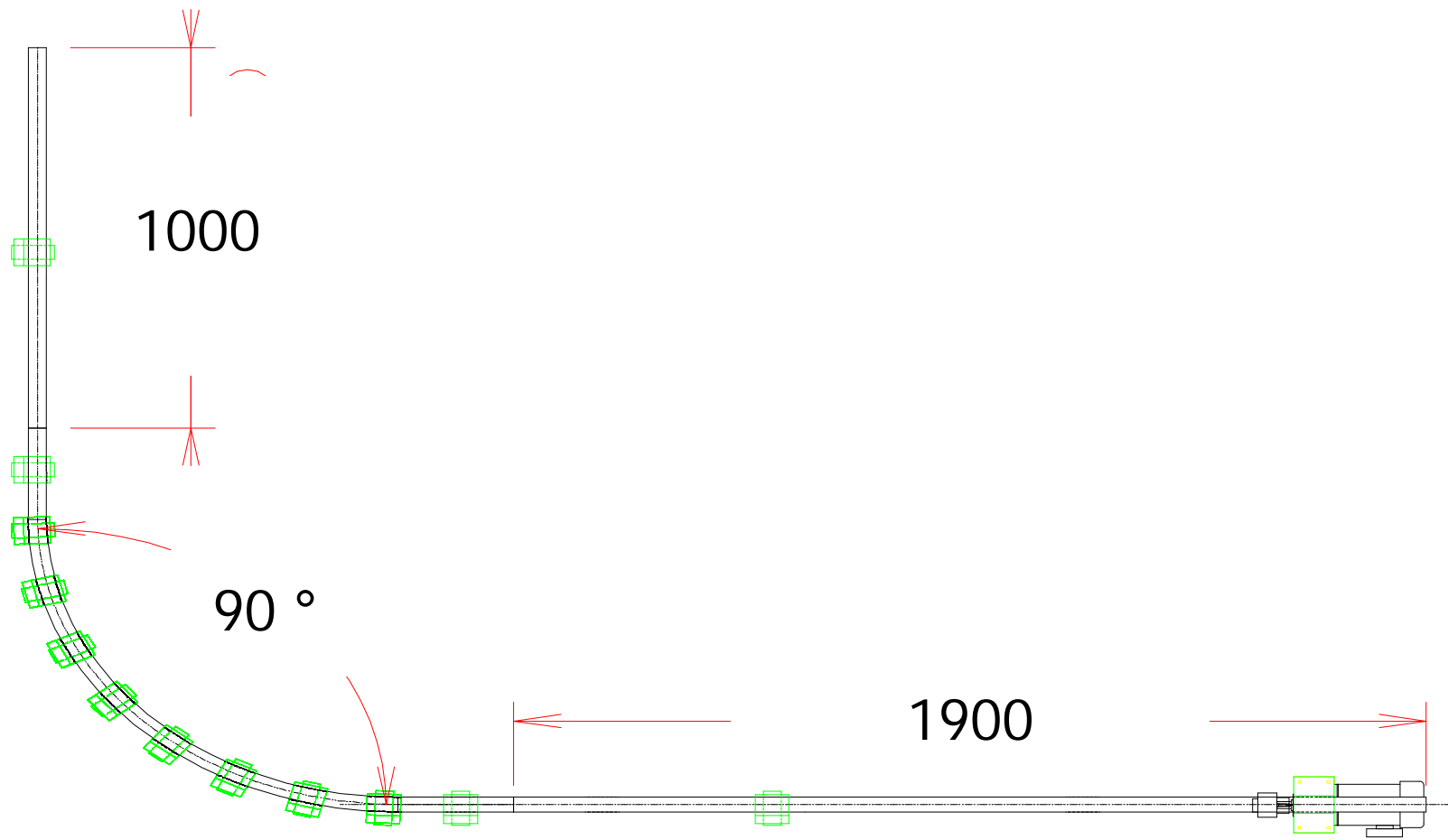
UNIT FOR EXTENSION



DRAWING SAMPLE LAYOUT

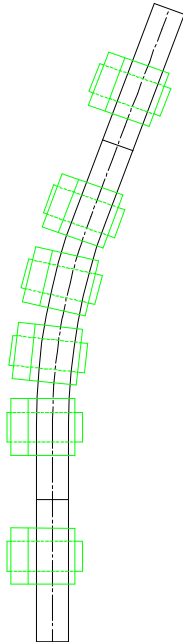
DRAWING SAMPLE LAYOUT



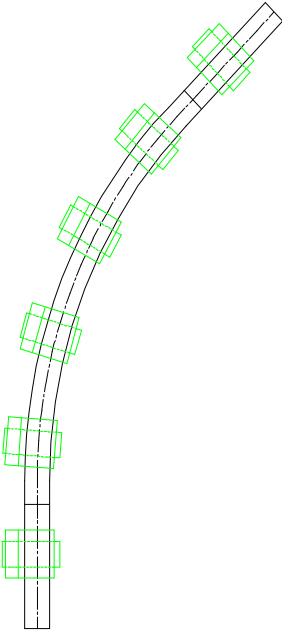


UNIT FOR CURVING AND UP

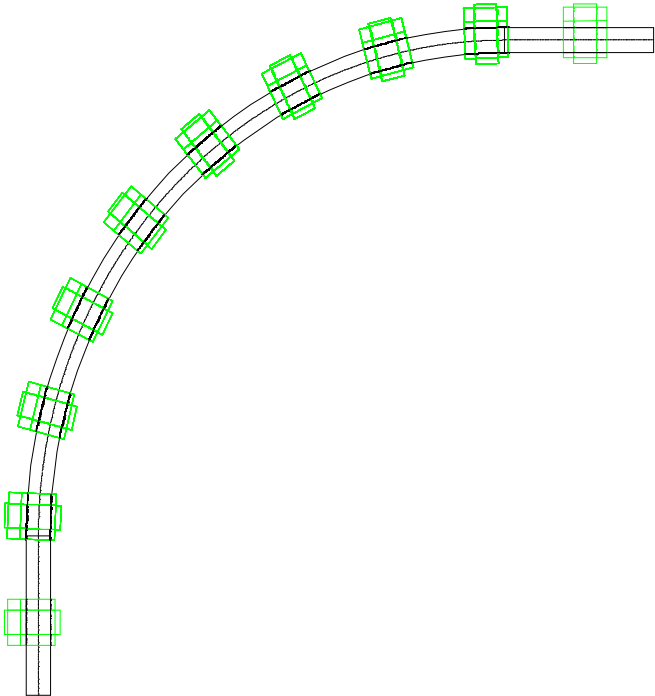
UNIT FOR CURVING AND UP



20 ° curve and up



45 ° curve



90 ° curve